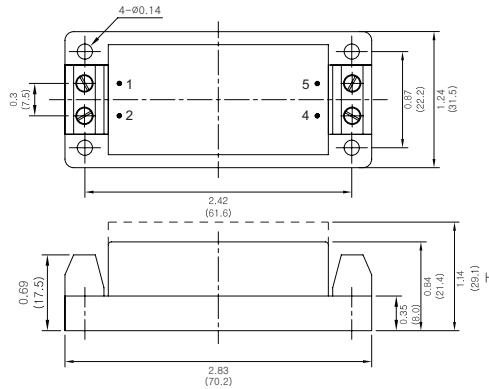


SF/FS Chassis

Chassis Series AC-DC CONVERTER

▲ DIMENSION (Chassis Mount Type - Terminal Block)

▲ SFS5C / SFS10C



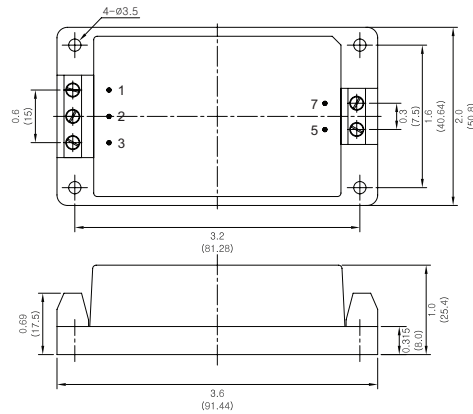
▲ PIN ASSIGNMENTS

Single Output	
1. AC(N)	4. - Vout
2. AC(L)	5. +Vout

NOTE

- All dimension are in inches (mm)
Dimension "H"
0.84(21.4) for 5W / SF5 version
1.14(29.1) for 10W / SF10 version
- Weight : 60g or less (SFS5C)
90g or less (SFS10C)

▲ FS15C



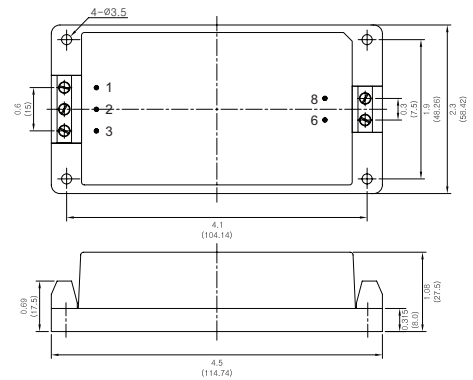
▲ PIN ASSIGNMENTS

Single Output	
1. FG	5. +Vout
2. AC(N)	7. - Vout
3. AC(L)	

NOTE

- All dimension are in inches (mm)
- Weight : 100g or less

▲ eFS30C



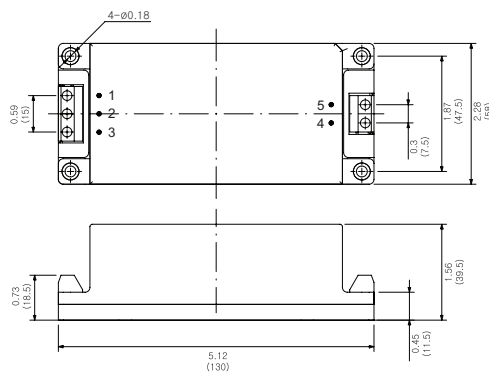
▲ PIN ASSIGNMENTS

Single Output	
1. FG	6. +Vout
2. AC(N)	8. - Vout
3. AC(L)	

NOTE

- All dimension are in inches (mm)
- Weight : 200g or less

▲ FS60C



▲ PIN ASSIGNMENTS

Single Output	
1. FG	4. +Vout
2. AC(N)	5. - Vout
3. AC(L)	

NOTE

- All dimension are in inches (mm)
- Weight : 560g or less